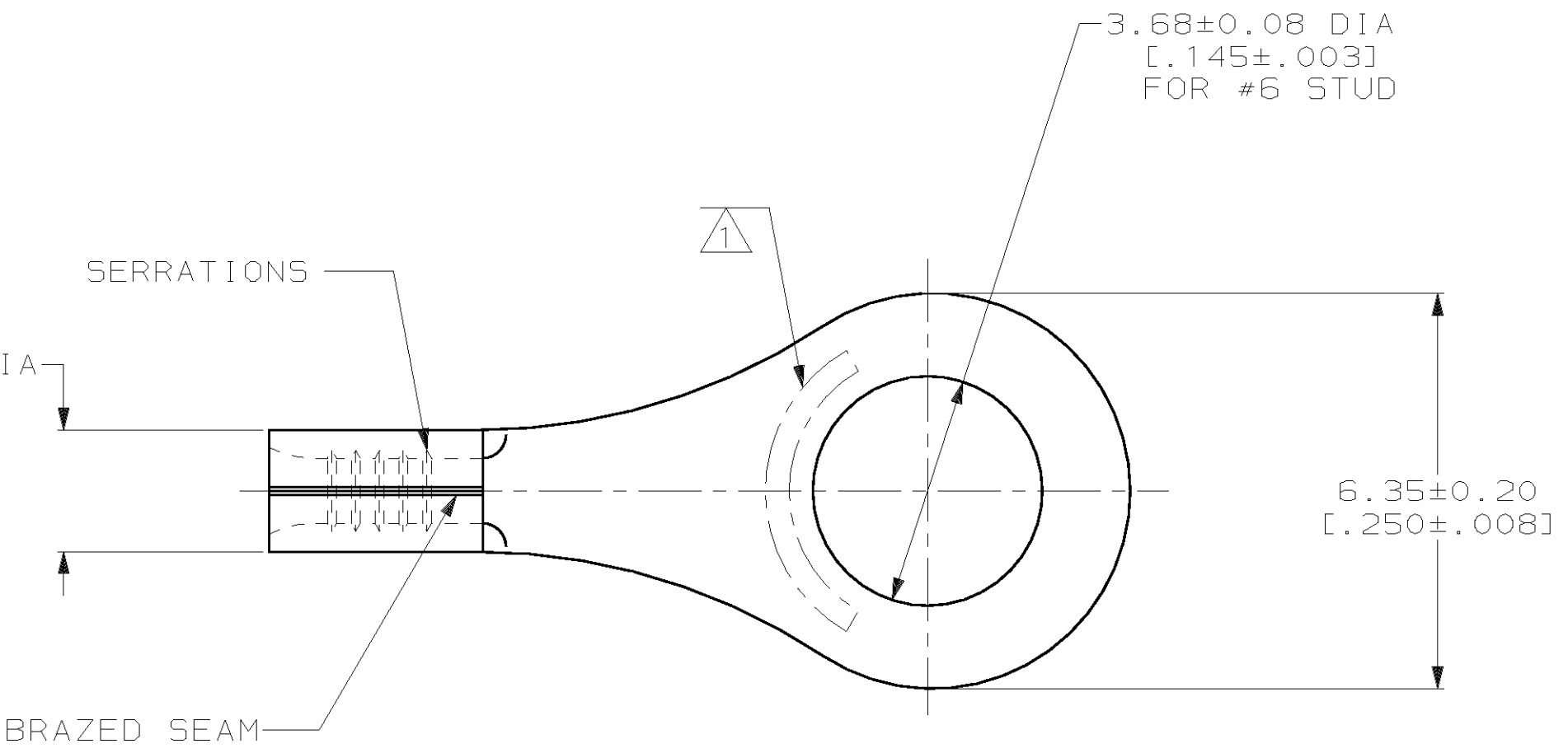


THIS DRAWING IS UNPUBLISHED. RELEASED FOR PUBLICATION ,19 .
 © COPYRIGHT 19 BY AMP INCORPORATED. ALL INTERNATIONAL RIGHTS RESERVED.

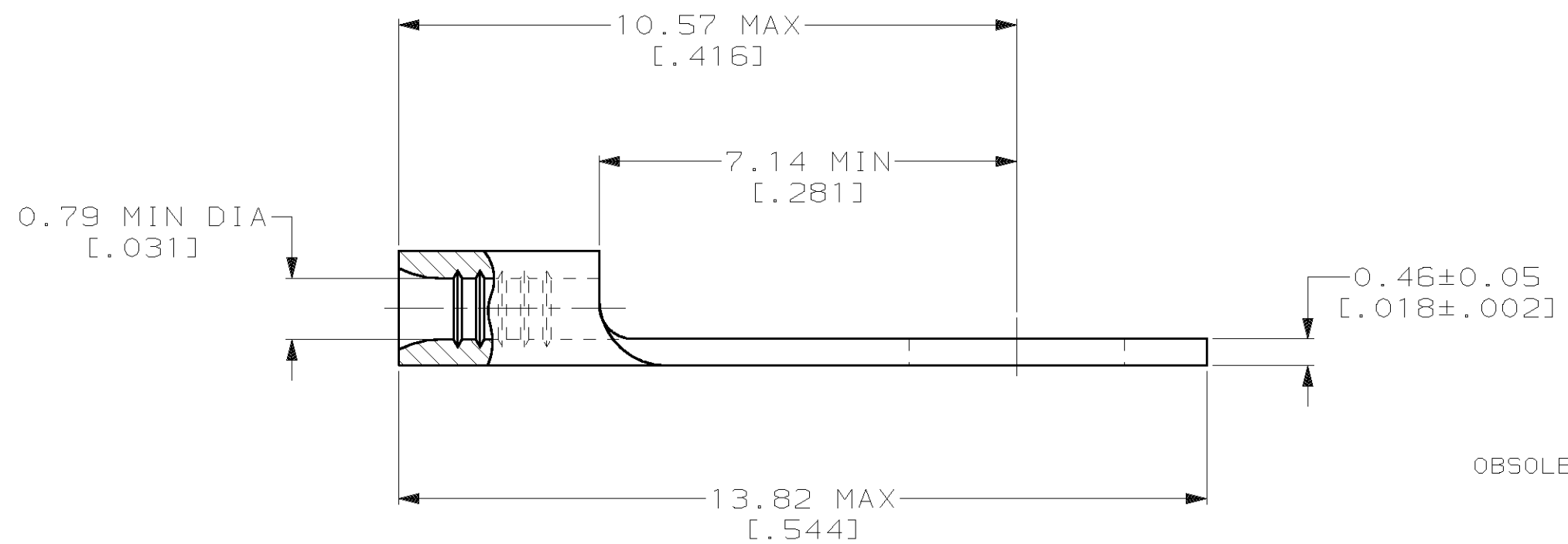
LOC		DIST		P		F		REVISIONS		DATE	APPD
G	14							ZONE	LTR	DESCRIPTION	
										C REV PER 063A-0124-02	06MAR02 JS MS

METRIC
 DIMENSIONS LISTED IN mm [INCHES]

AMP WIRE RANGE	UL E13288 Listed
26-22 AWG SOLID OR STRANDED	NOT LISTED
SP LR7189 Certified	MILITARY P/N AND CLASS
NOT CERTIFIED	NOT APPLICABLE



1 STAMP AMP APPROX AS SHOWN



OBSELETE

QUANTITY	MAX OPERATING TEMPERATURE	PACKAGE TYPE	FINISH	PART NO
----	-	LOOSE PIECE	CLEANED, UNPLATED	331401-1
/	/	/	GOLD PLATE 0.00127 [.000050] MIN THK PER MIL-G-45204 OVER NICKEL PLATE 0.000762 [.000030] MIN THK PER QQ-N-290	1-331401-2
5000	170°C	331401 ON TAPE	TIN PLATE 0.00254 [.000100] MIN THK PER MIL-T-10727	1-331401-1
----	170°C	LOOSE PIECE	TIN PLATE 0.00254 [.000100] MIN THK PER MIL-T-10727	331401

AMP INCORPORATED
CUSTOMER SERVICE SYSTEMS

MAX RECOMMENDED OPERATING TEMPERATURE:
 SEE TABLE

DO NOT SCALE PRINT. UNLESS SPECIFIED DIMENSIONS IN mm [INCHES]— TOLERANCES ON :
 2 PLC DEC ± -
 3 PLC DEC ± -
 ANGLES ± -

DR 3-9-93 TA BRINKMAN
 CHK 3-9-93 DA PATTERSON
 APPD 3-9-93 DE MILLER
 APPD 3-9-93 JL MECKLEY

AMP AMP Incorporated
 Harrisburg, PA 17105-3608

FOR ADDITIONAL PRODUCT INFORMATION OR COPIES OF DRAWINGS AND TECHNICAL DOCUMENTS

PRODUCT INFORMATION CENTER
 1-800-522-6752

VOLTAGE RATING:
 NOT APPLICABLE

MATERIAL
 COPPER PER ASTM B-152 ANNEALED

PRODUCT SPEC
 -

NAME
TERMINAL, RING TONGUE, SOLISTRAND

FOR APPLICATION TOOLING INFORMATION

TOOLING ASSISTANCE CENTER
 1-800-722-1111

WIRE CROSS SECTIONAL AREA RANGE:
 0.1-0.41mm² [202-810] CIR MILS
 SOLID OR STRANDED

FINISH
 SEE TABLE

APPLICATION SPEC
 -

SIZE CAGE CODE DRAWING NO
 C 00779 C=331401

FOR ORDER ENTRY

1-800-526-5142

THIS DRAWING IS A CONTROLLED DOCUMENT FOR AMP INCORPORATED. IT IS SUBJECT TO CHANGE AND THE CONTROLLING ENGINEERING ORGANIZATION SHOULD BE CONTACTED FOR THE LATEST REVISION.

WEIGHT -

SCALE 10:1 SHEET 1 OF 1